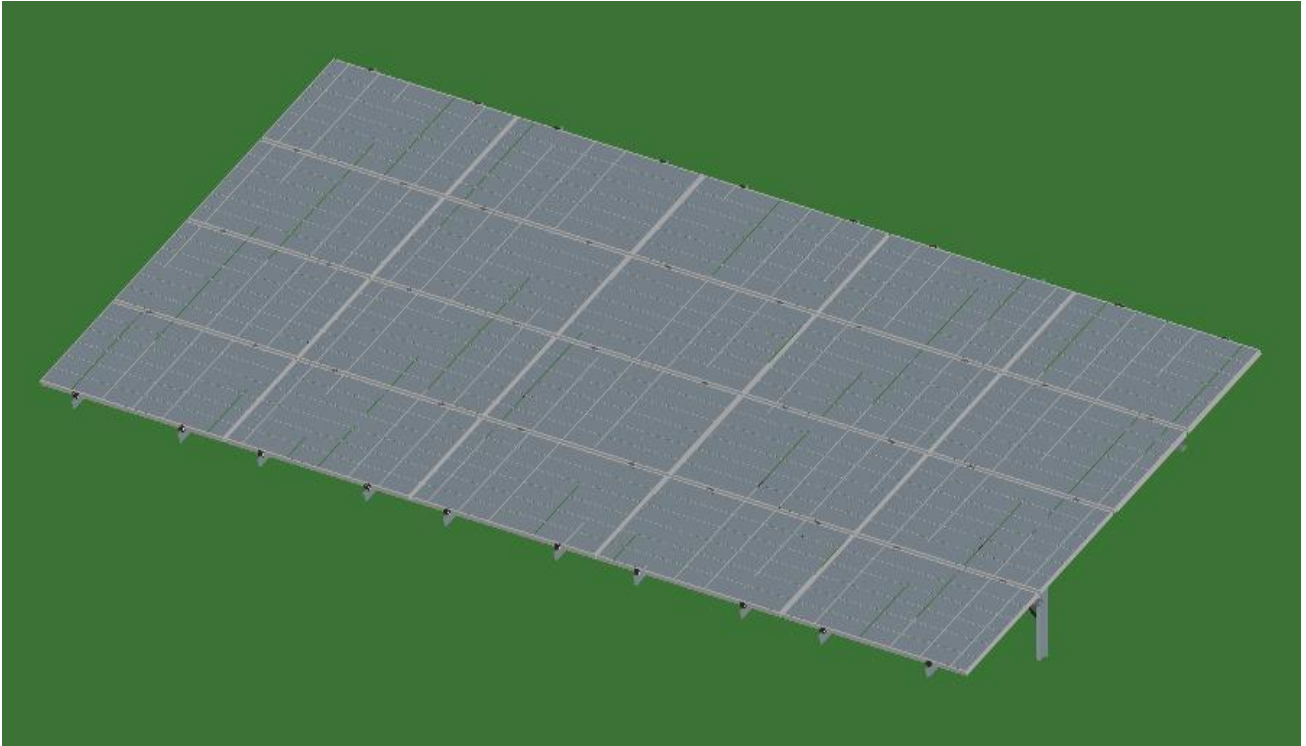




Potree Mount Installation Manual

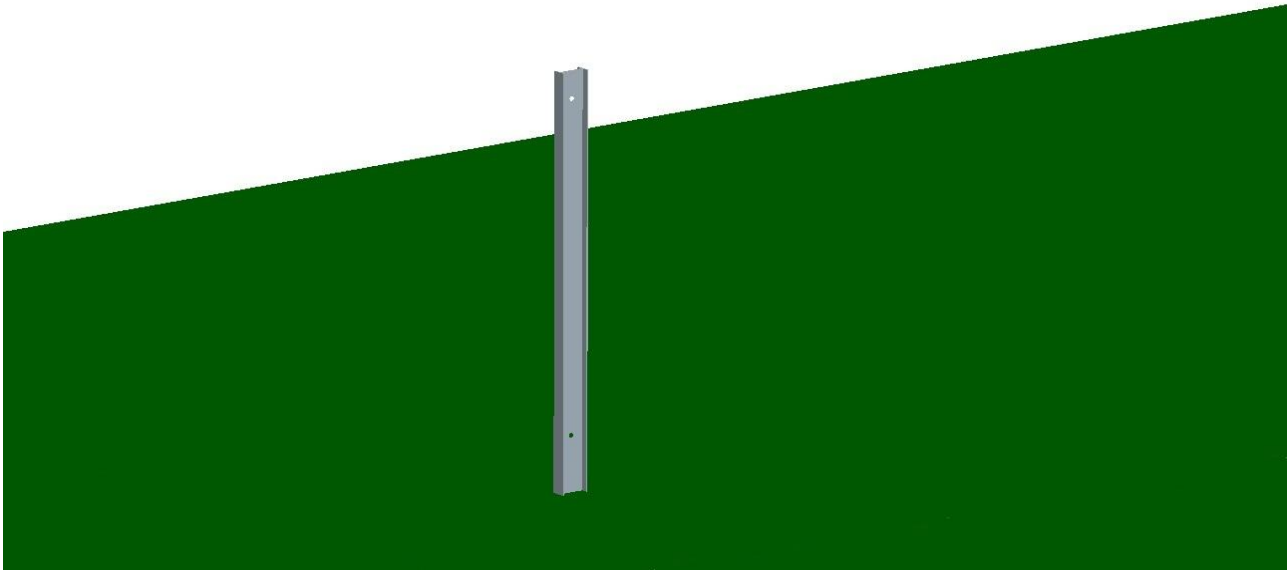


The Potree Mount is a ground mounting system which can be installed on a large scale. The foundation posts, girders and girder supports are made of galvanized steel and the purlins and clamps are made of aluminum alloy which ensure durability. Installation steps are easy and quick to save labor costs.

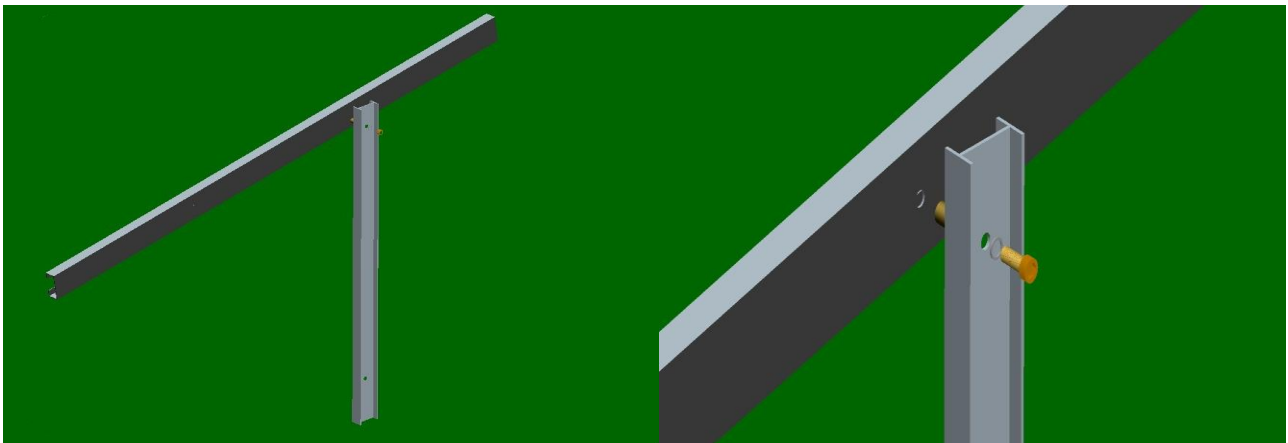
Benefits

- * Suitable for any type of terrain and climate.
- * Pre-assembled parts allow for quick and easy installation.
- * Compatible with any size of solar panel.
- * Aluminum alloy reduces structure weight and increases corrosion resistance.

Installation procedures

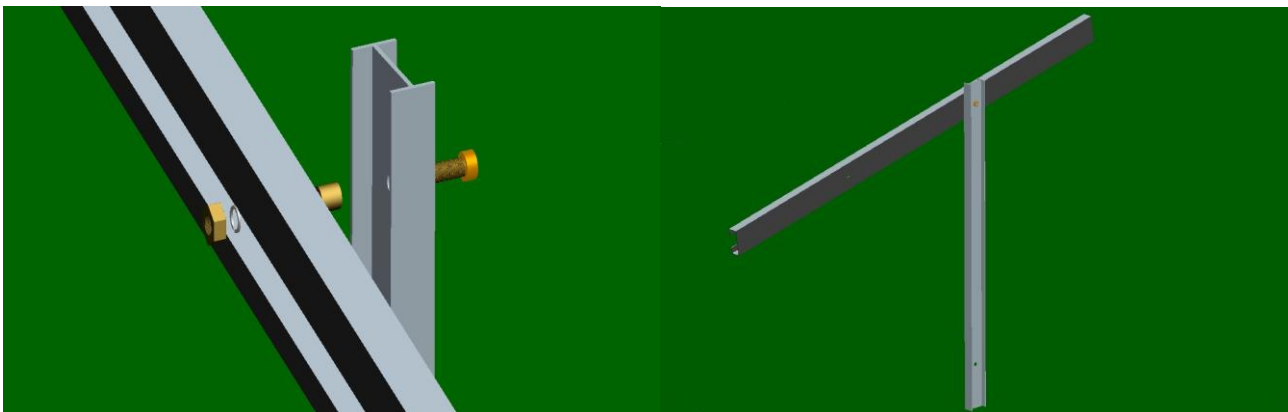


1. Install foundation posts. Due to varying terrain and environmental conditions, the installation procedures may differ.



(a)

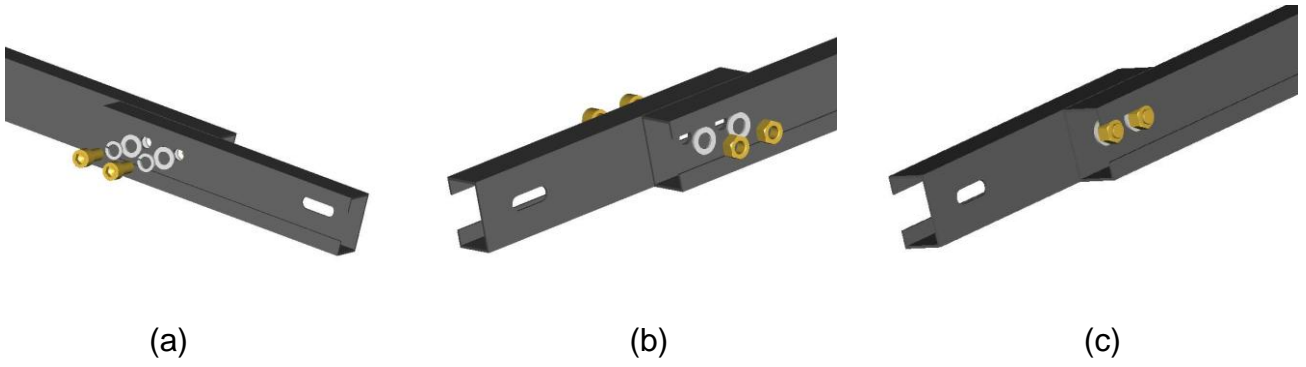
(b)



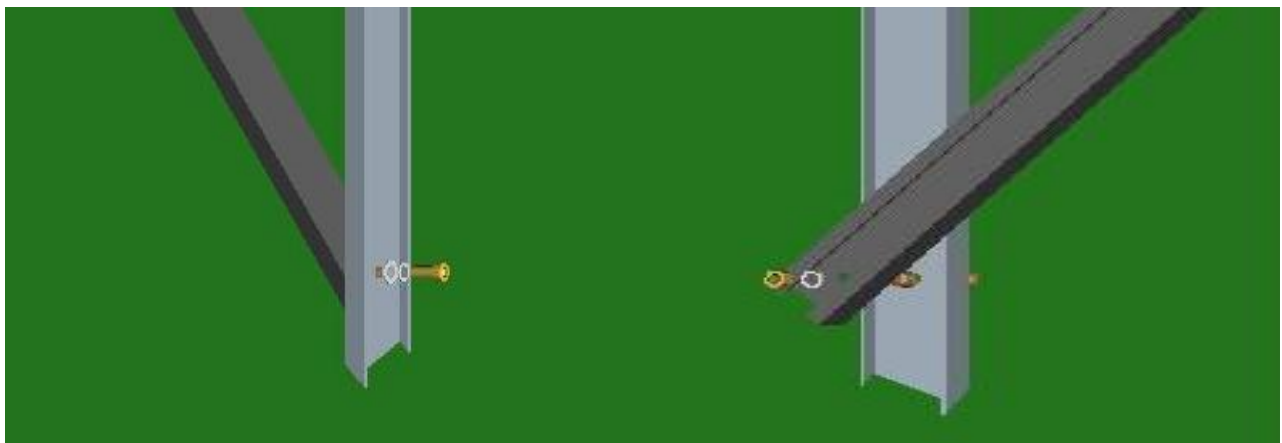
(c)

(d)

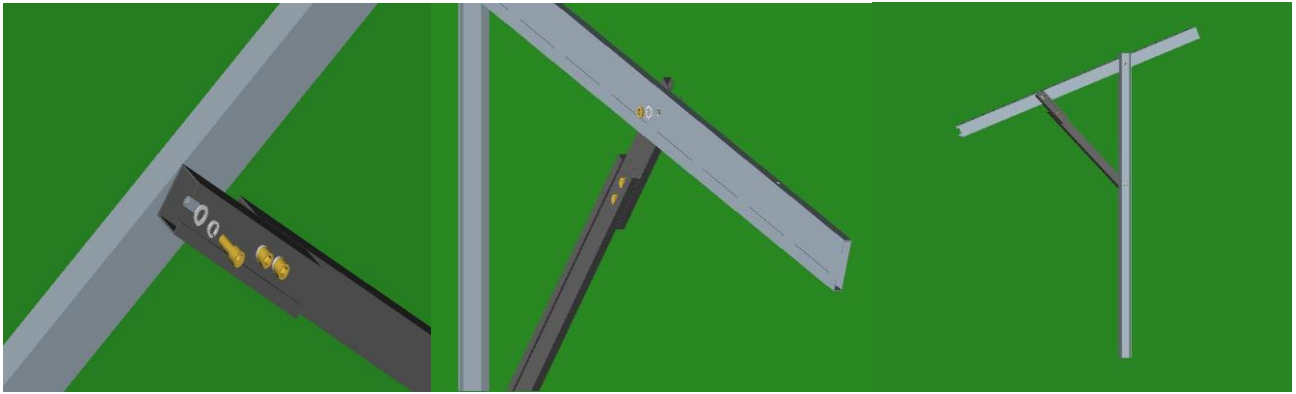
2. Put the main beam on top of the foundation post and insert bolt into the hole of the post and the tube between the post and the main beam as pictured in (a),(b) and (c) above. Fasten the main beam onto the foundation post as pictured in (d) above.



3. Fit long and short struts together as pictured in (a), (b) and (c) above.



4. Put one side of the strut onto the lower position of the foundation post and insert a bolt into the hole of the post and put the tube between the post and the strut as pictured in (a) and (b) above. Fasten the strut onto the foundation post as pictured in (c) and (d) above.

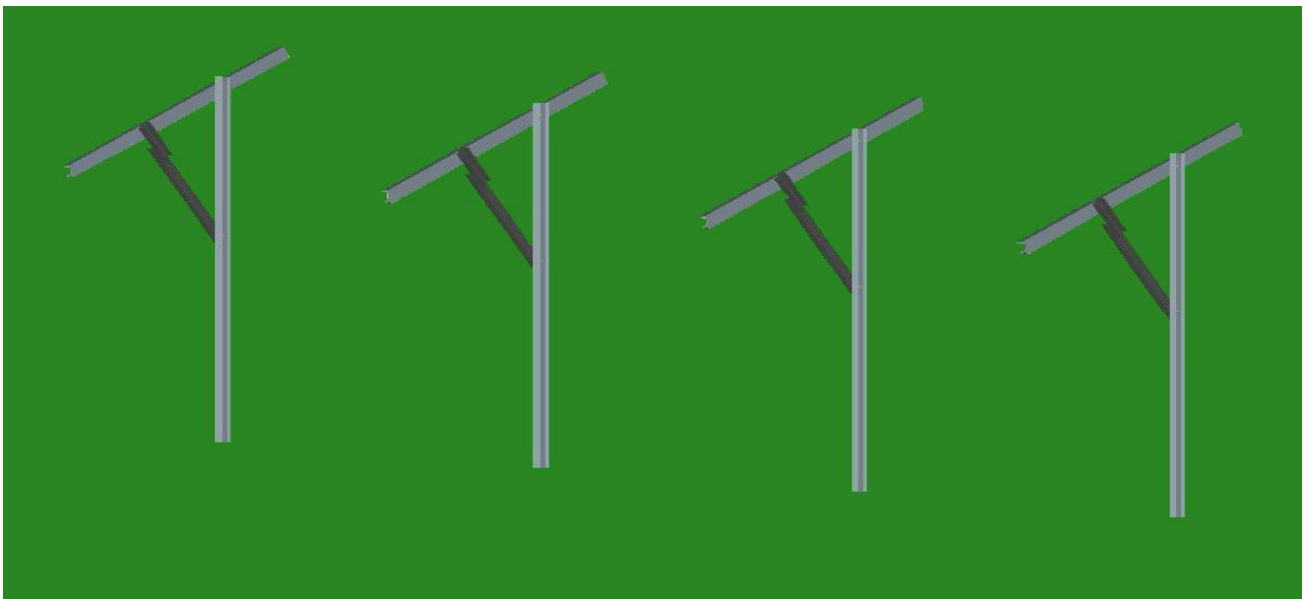


(a)

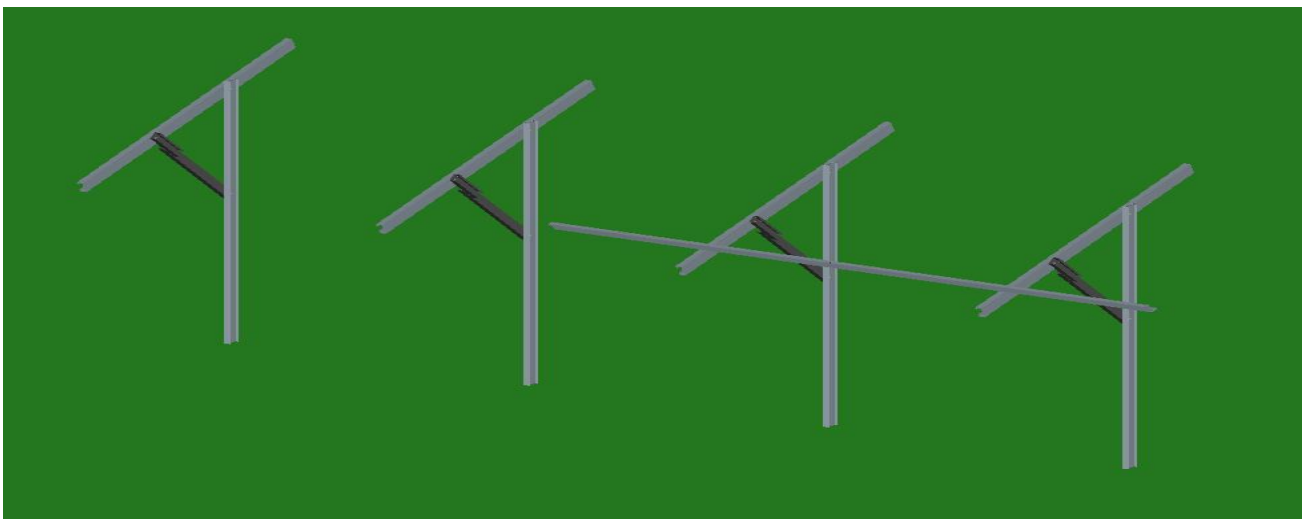
(b)

(c)

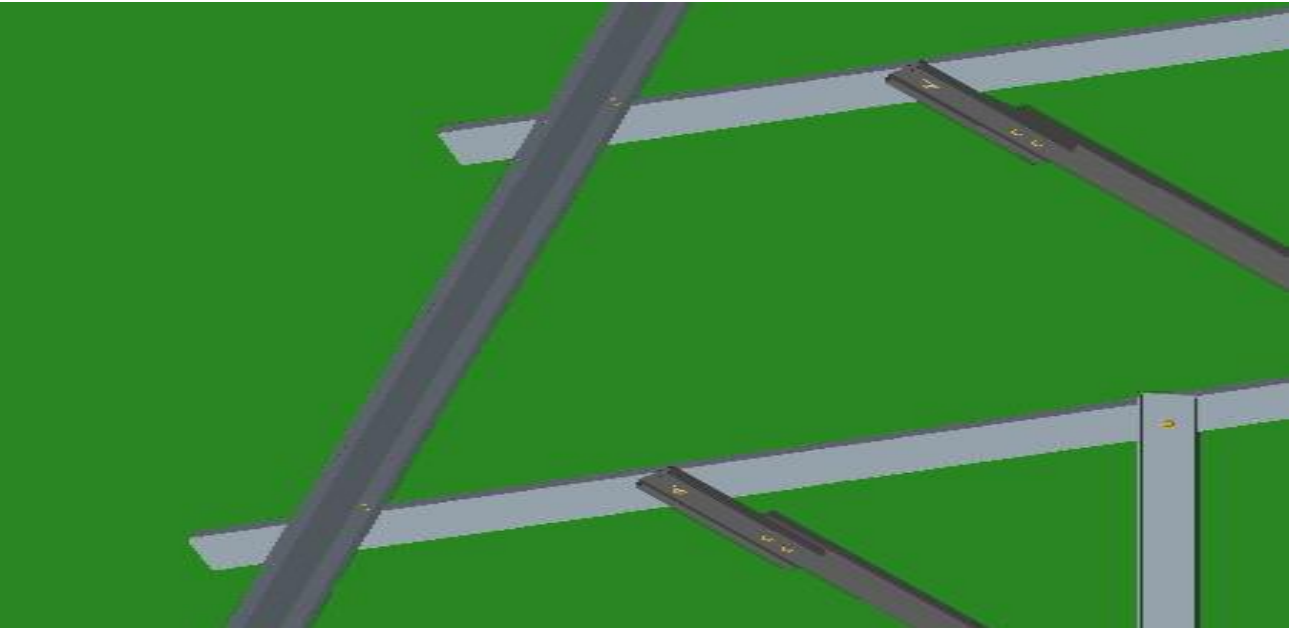
5. Put another side of the strut onto the main beam and insert a bolt into the hole of strut and main beam as pictured in (a), (b) and (c) above and fasten both parts.



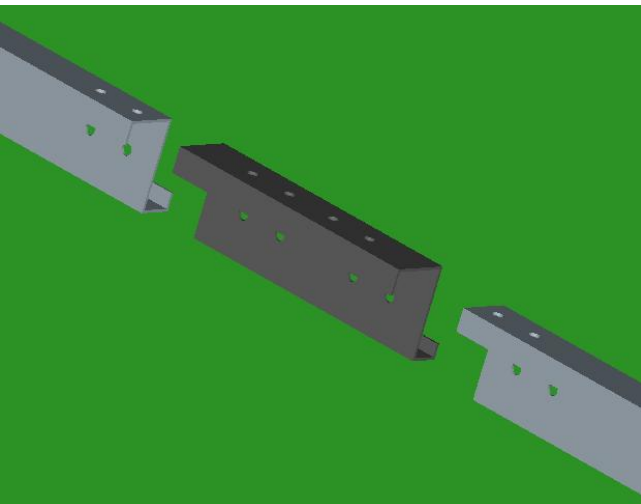
6. Repeat steps 3, 4 and 5 above to finish installation of the other foundation posts as pictured above.



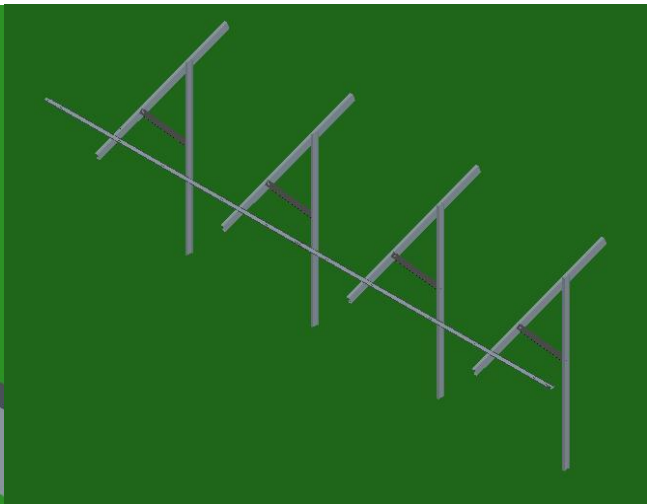
7. Put the secondary beam on the main beam as pictured above.



8. Fasten the secondary beam onto the main beam as pictured above.

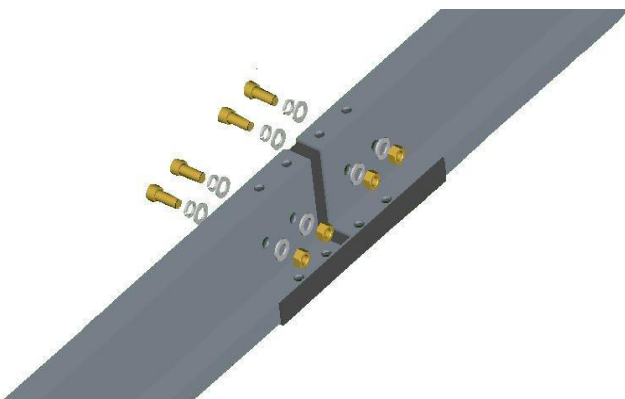


(a)

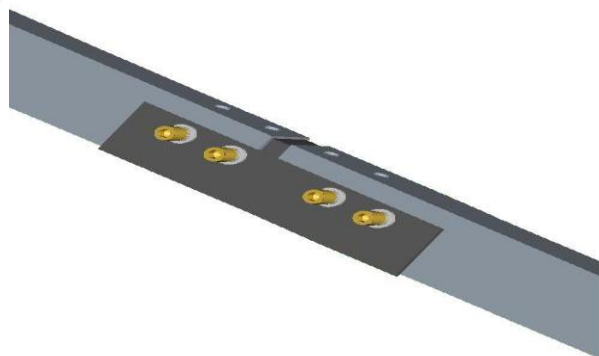


(b)

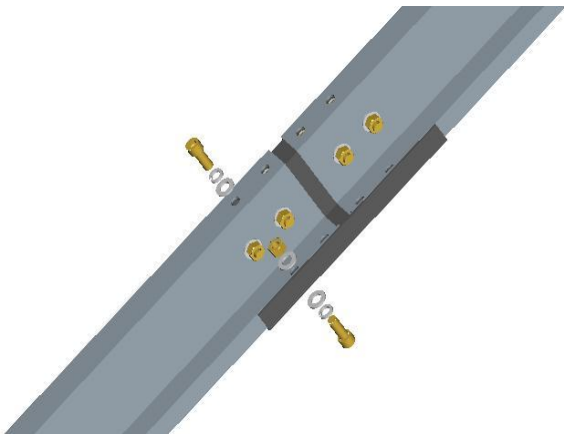
9. Insert the secondary beam connector between the secondary beams as pictured in (a) and (b) above.



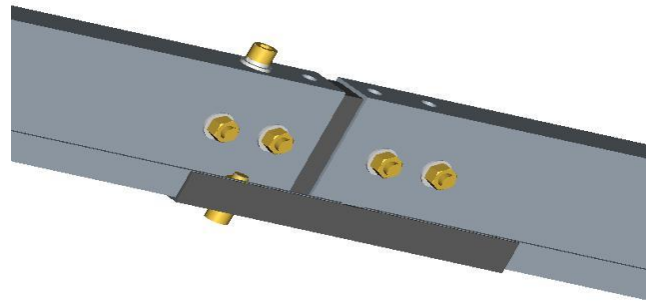
(a)



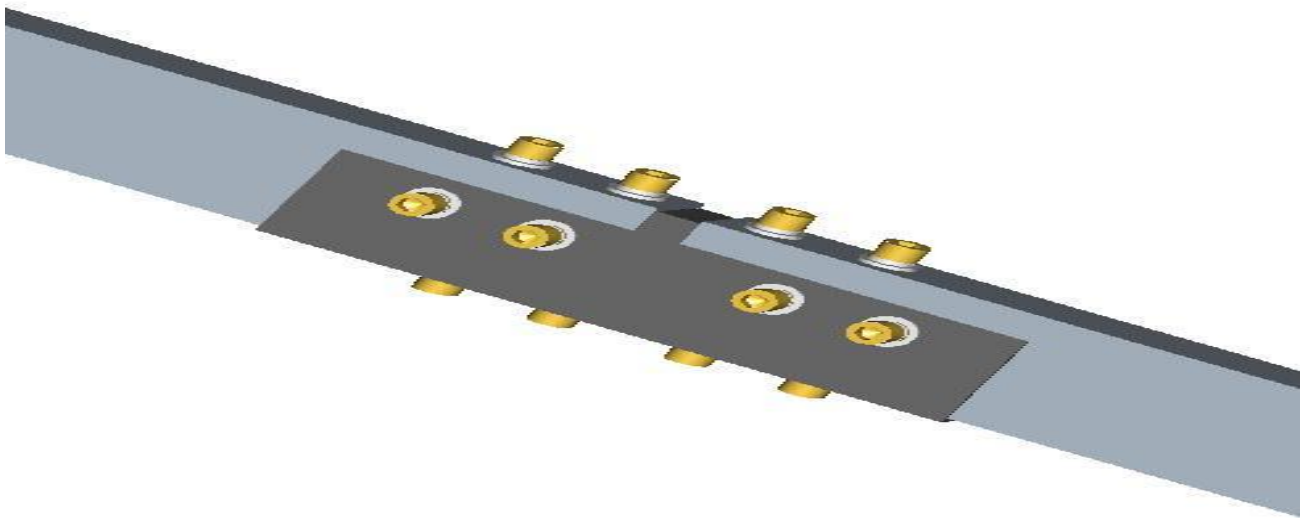
(b)



(c)

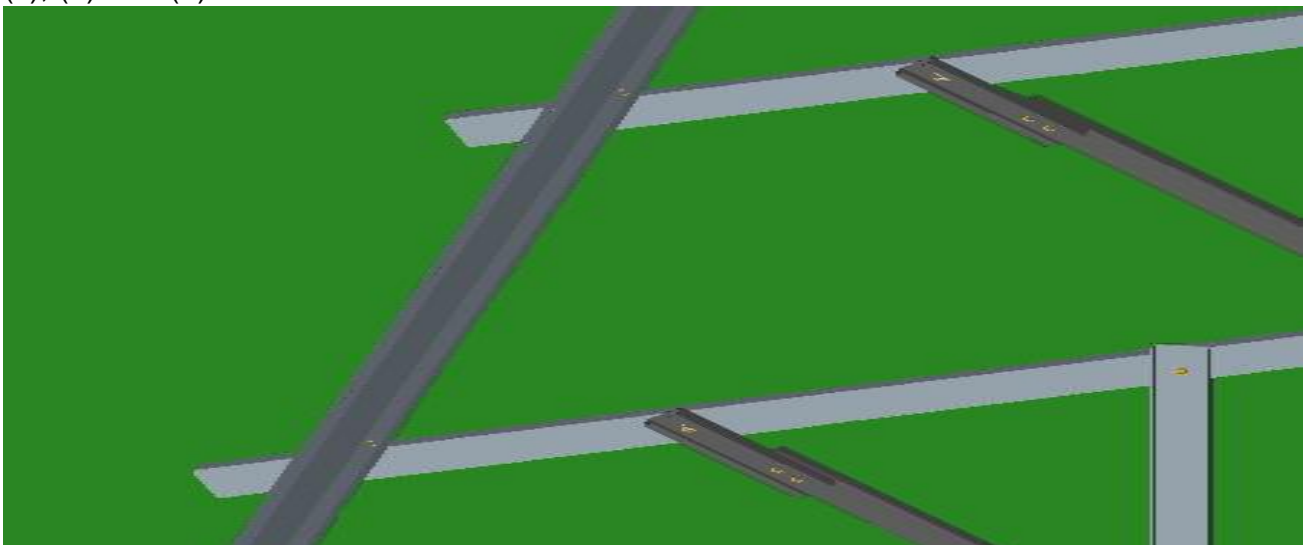


(d)

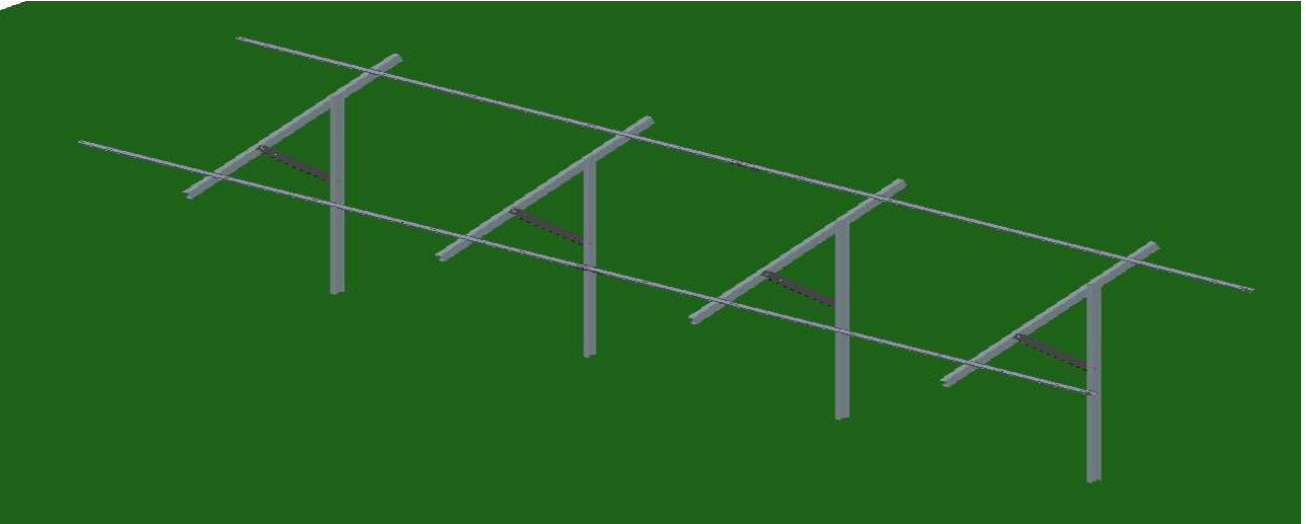


(e)

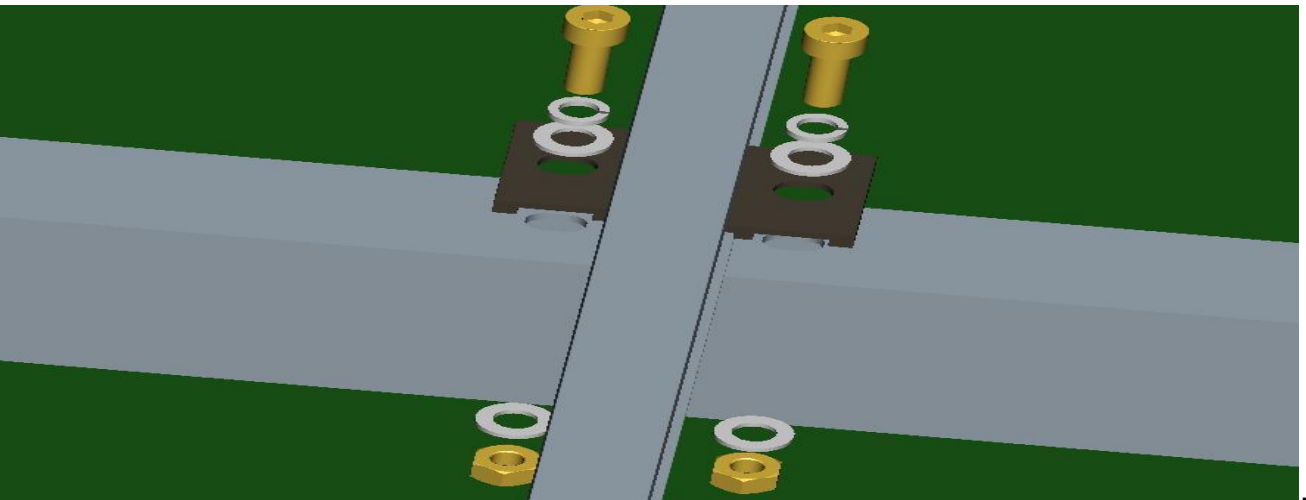
10. Fasten the secondary beam connector onto the secondary beams as pictured in (a), (b), (c), (d) and (e) above.



11. Fasten another secondary beam after connection onto the main beam as pictured above.



12. Repeat steps 10 and 11 above to finish installation of all secondary beams as pictured above.

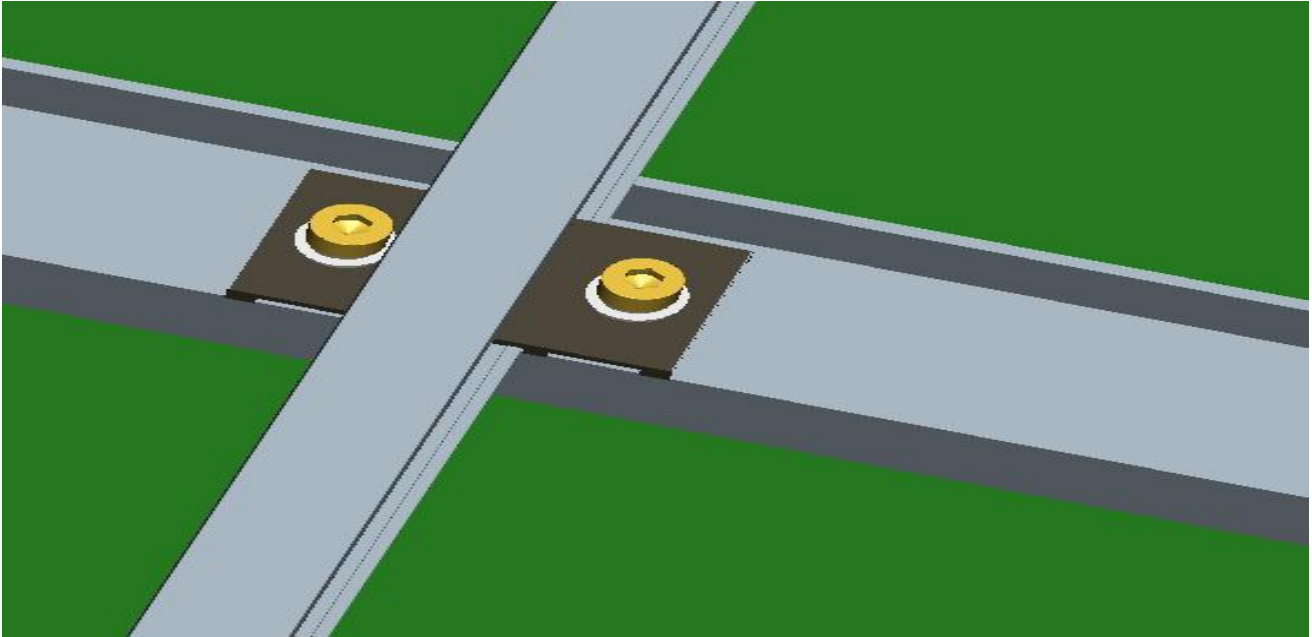


(a)

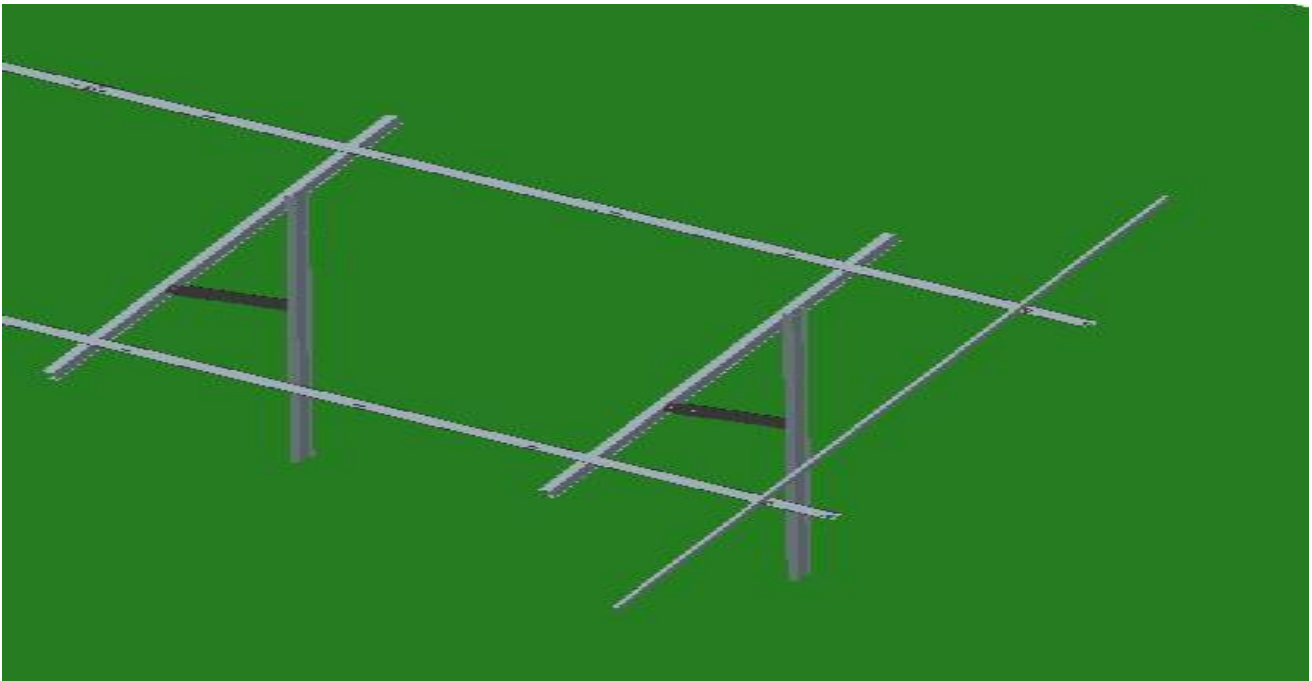


(b)

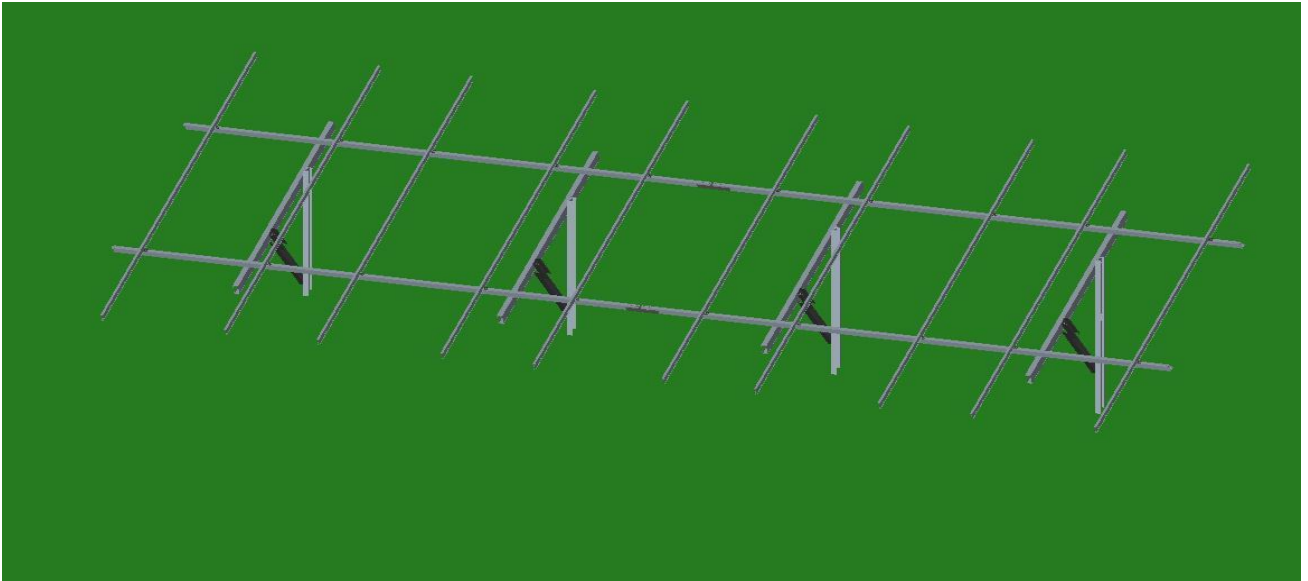
13. Put the rail with rail clamps onto the secondary beam as pictured in (a) and (b) above.



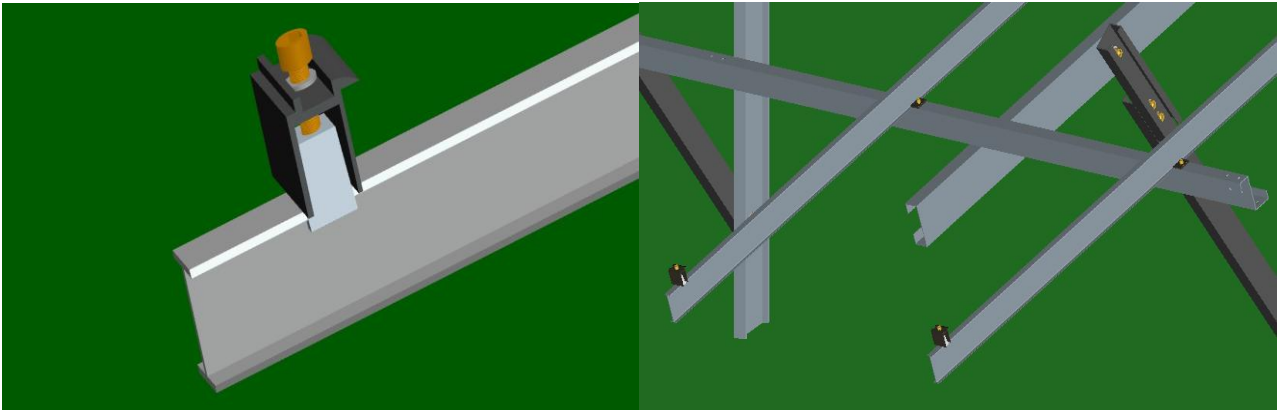
14. Fasten the rail clamps with rail onto the secondary beam as pictured above.



15. Repeat steps 13 and 14 above to finish rail installation onto another secondary beam as pictured above.



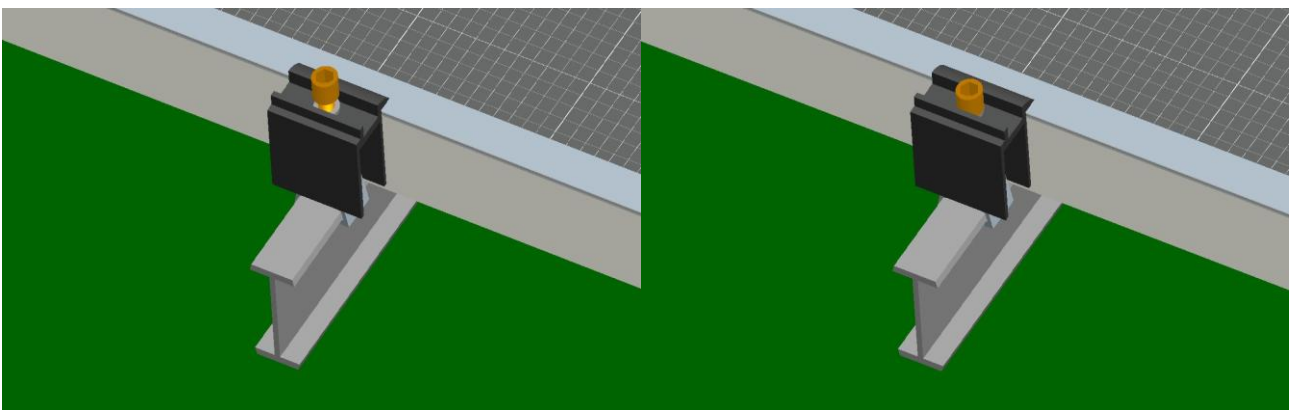
16. Repeat steps 13, 14 and 15 above to finish installation of all rails onto the secondary beams as pictured above.



(a)

(b)

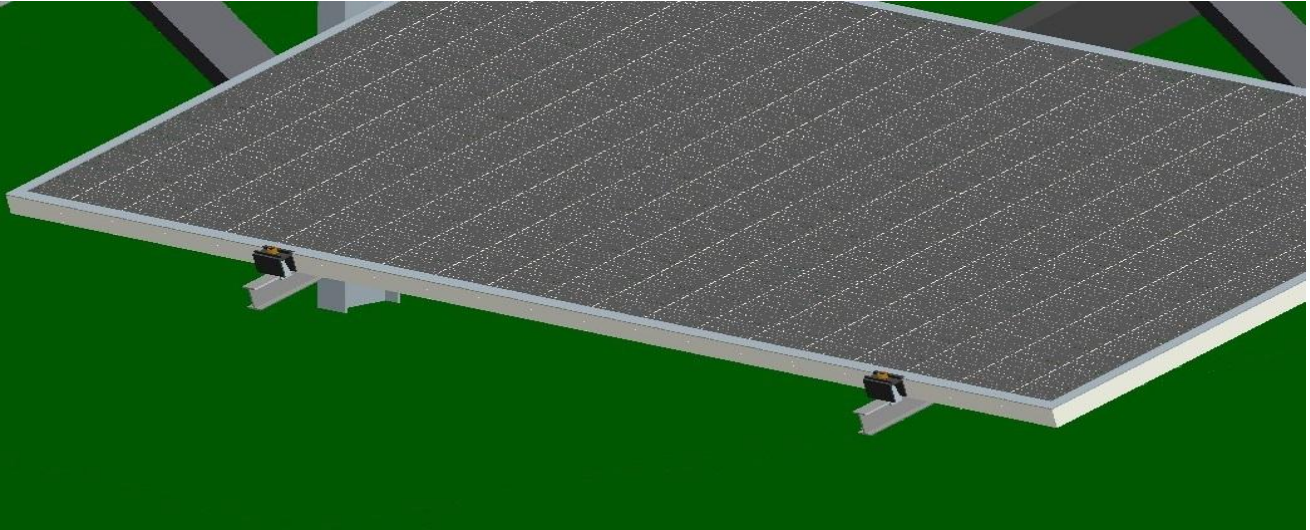
17. Put the end Quick-Clamp on the two rails as pictured in (a) and (b) above.



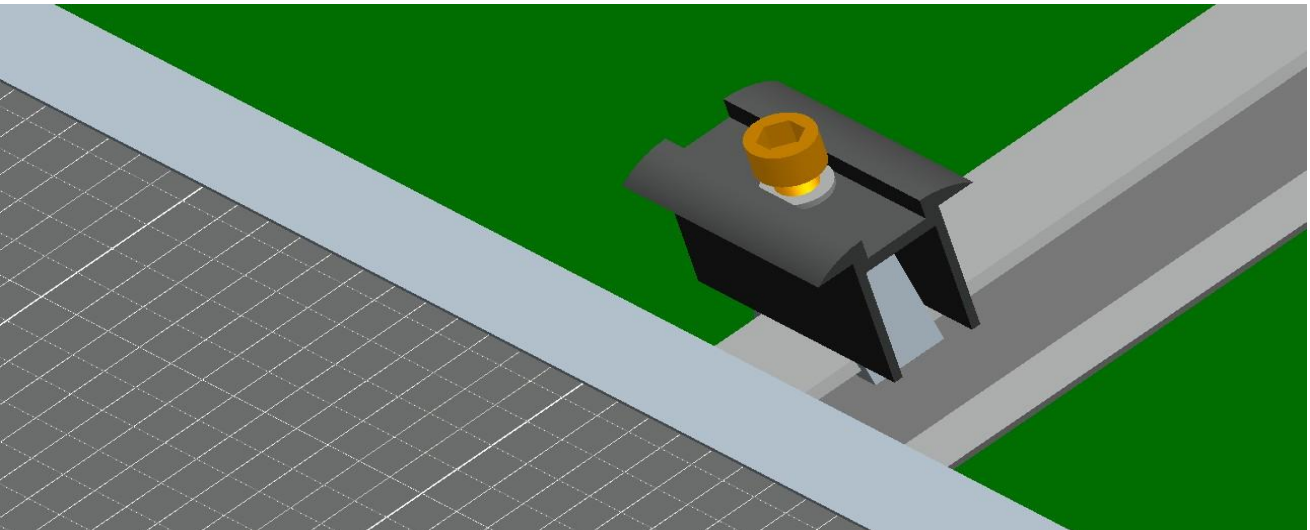
(a)

(b)

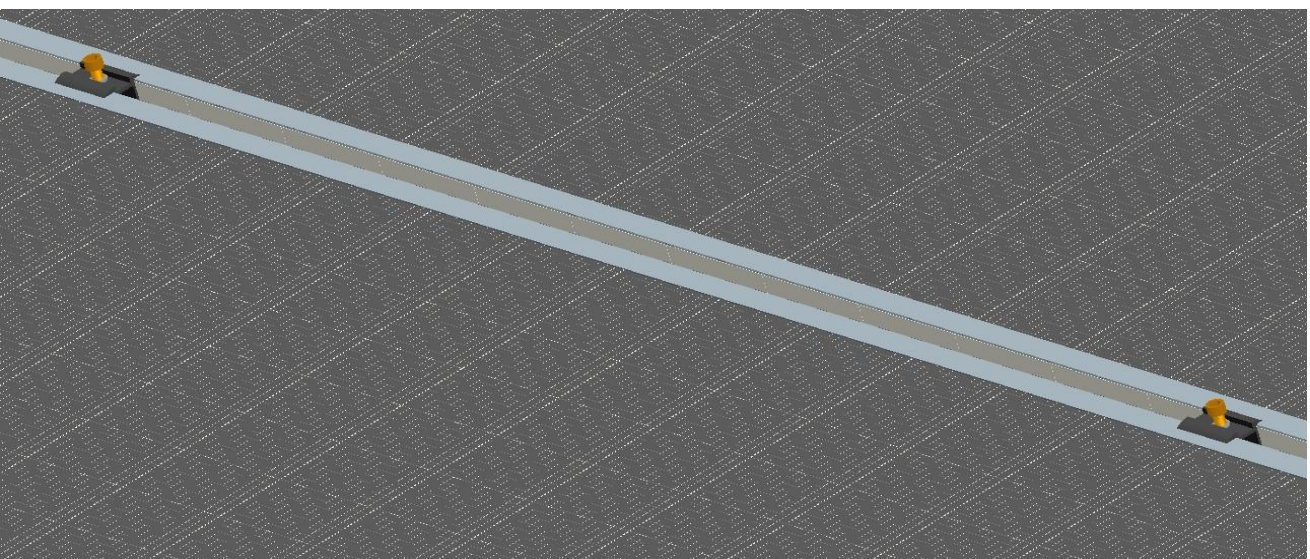
18. Put the solar panel on the rail and fasten the end Quick-Clamp onto the rail as pictured in (a) and (b) above.



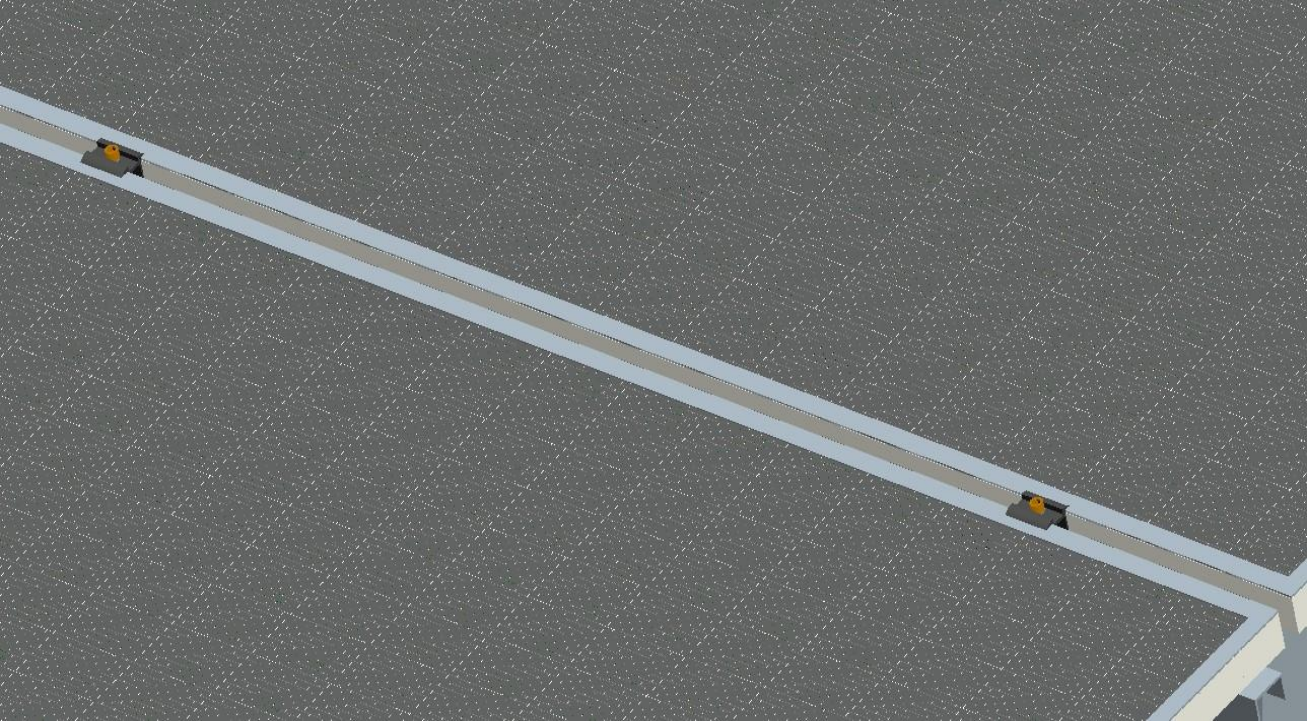
19. Fasten another end Quick-Clamp onto the rail as pictured above.



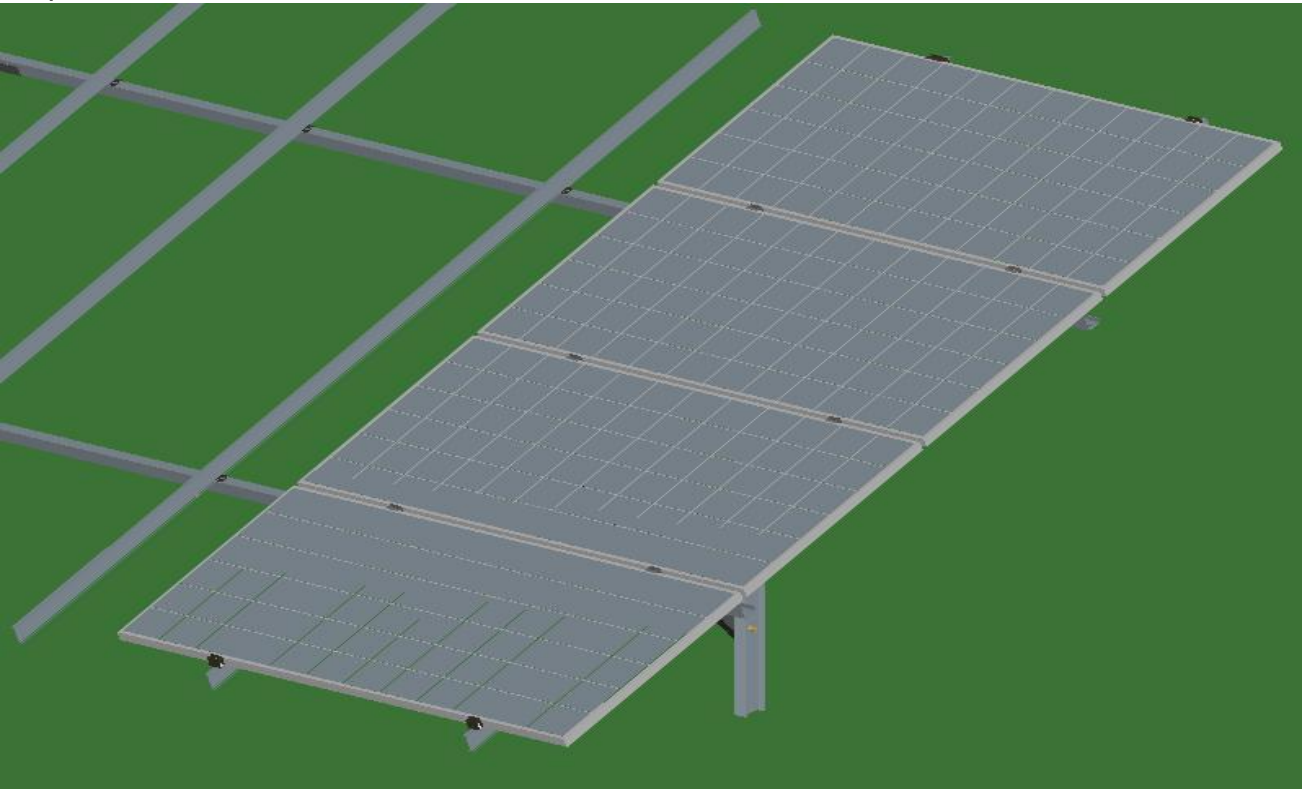
20. Put a middle Quick-Clamp on the rail as pictured above.



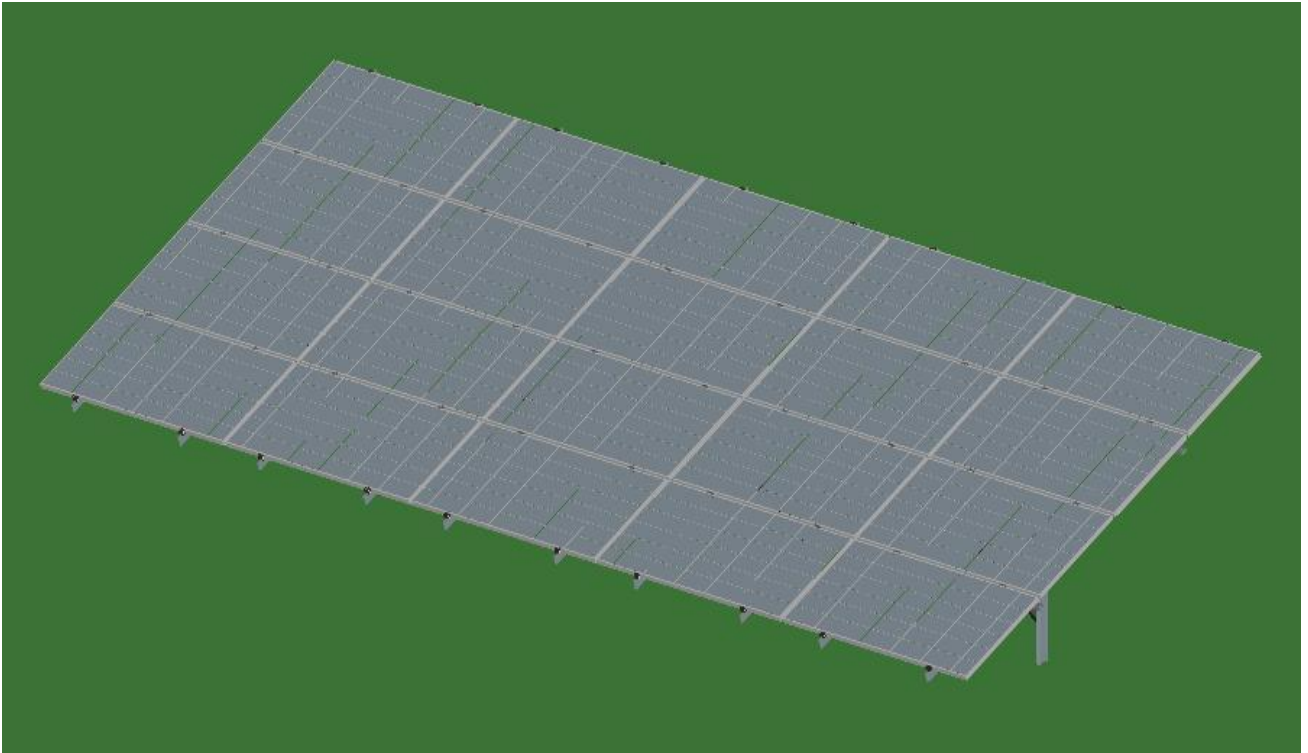
21. Put another middle Quick-Clamp on the rail and put another solar panel on the rail as pictured above.



22. Fasten the middle Quick-Clamps to finish installing two solar panels on the rail as pictured above.



23. Repeat steps 20, 21 and 22 above to finish installing four solar panels installation in a vertical formation as pictured above.



24. Repeat steps 20, 21, 22 and 23 above to finish installing all solar panels in an array as pictured above.